

DH-IPC-HF 830 1 E

3MP WDR Ultra -Smart Network Camera



Features

- 1/3" 3 Megapixel progressive scan CMOS
- Support H.264/ MJPEG dual codec
- Smart triple streams supported
- Max 25/30fps@3MP(2048x1536)
- Ultra WDR (Wide Dynamic Range) up to 120dB
- Ultra 3D DNR
- Ultra Defog, ROI, EIS
- Smart detection:
 - Face detection
 - Tripwire detection
 - Intrusion detection
 - Scene change detection
- Auto back focus
- Built-in Mic
- 100/1000M Base -T Ethernet

DH - IPC - HF 830 1 E

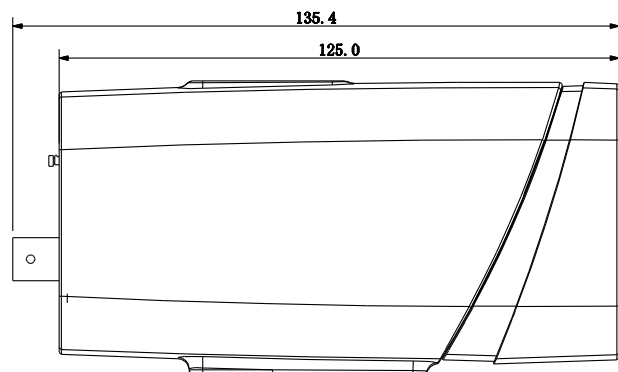
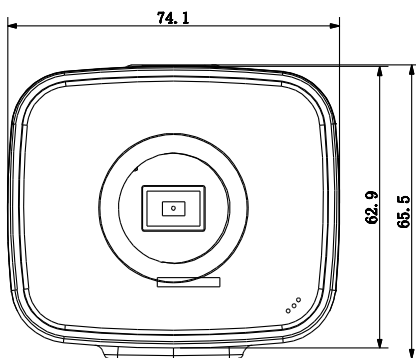
Technical Specifications

| | | | |
|--------------------------|-------------------|---|----------------------------|
| Model | | DH - IPC - HF 8301 EP | DH - IPC - HF 8301 EN |
| Camera | | | |
| Image Sensor | | 1/3" 3Megapixel CMOS | |
| Effective Pixels | | 2048(H)x1536(V) | |
| Scanning System | | Progressive | |
| Electronic Shutter Speed | | Auto/Manual, 1/3~1/10000s | Auto/Manual, 1/ 4~1/10000s |
| Min. Illumination | | Color: 0. 1Lux/F1.2, B/W: 0.01Lux/F1.2; 0Lux/F1.2(IR on) | |
| S/N Ratio | | More than 52 dB | |
| Video Output | | 1 channel BNC (1.0Vp-p,75Ω) | |
| Camera Features | | | |
| Max. IR LEDs Length | | N/A | |
| Day/Night | | Auto(ICR)/Color/B/W | |
| Backlight Compensation | | BLC / HLC / WDR 120dB | |
| White Balance | | Auto/Manual | |
| Gain Control | | Auto/Manual | |
| Noise Reduction | | Ultra 3D | |
| Privacy Masking | | Up to 4 areas | |
| EIS | | Support | |
| Ultra Defog | | Support | |
| Smart focus | | ABF | |
| Lens | | | |
| Mount Type | | C/CS | |
| Video | | | |
| Compression | | H.264 / MJPEG | |
| Resolution | | 3M(2048 × 1536) / 1080P(1920×1080) / 720P(1280×720) /D1(704×576) /CIF(352×288) | |
| Frame Rate | Main Stream | 3M/1080P (1~25/30fps) | |
| | Sub Stream | D1/CIF(1 ~ 25/30fps) | |
| | Third Stream | 1080P/720P/D1(1 ~ 25/30fps) | |
| Bit Rate | | H.264: 48 K ~ 8192K bps | |
| ROI | | Up to 4 areas | |
| Audio | | | |
| Compression | | G.711a / G.711u | |
| Interface | | 2/1 channel In/Out | |
| Smart Function | | | |
| Smart detection | Tripwire | | |
| | Intrusion | | |
| | Scene change | | |
| | Missing/Abandoned | | |
| | Audio detect | | |
| | Face detect | | |
| Network | | | |

DH - IPC - HF 830 1 E

| | |
|---------------------|--|
| Ethernet | RJ-45 (10/100 /1000 Base-T) |
| Wi-Fi | N/A |
| Protocol | IPv4/IPv6, HTTP, HTTPS, SSL, TCP/IP, UDP, UPnP, ICMP, IGMP, SNMP, RTSP, RTP, SMTP, NTP, DHCP, DNS, PPPOE, DDNS, FTP, IP Filter, QoS, Bonjour |
| Compatibility | ONVIF, PSIA, CGI |
| Max. User Access | 20 users |
| Smart Phone | iPhone, iPad, Android, Windows Phone |
| Auxiliary Interface | |
| Memory Slot | Micro SD, Max 64GB |
| Alarm | 2/1 channel In/Out |
| General | |
| Power Supply | DC12V(AC24 V optional), PoE (802.3af) |
| Power Consumption | Max 10W (ABF & IR on) |
| Working Environment | -20°C~+60°C, Less than 95% RH |
| Ingress Protection | N/A |
| Dimensions | 71.4mm × 65.5mm × 135.4 mm |
| Weight | 0.3Kg |

Dimensions (mm)



DH-IPC-HF 830 1 E

Accessory (optional)

| | | |
|---|---|---|
|  |  |  |
| PFB120W | PFB121W | PFA121 |

Dahua Technology Co., Ltd. 1187BinAn Road, Binjiang District, Hangzhou, China
Tel: 66956096-0912-6017817-09107616575
email:imensazaa@gmail.com
www.irandahua.com