

## DH-IPC-HDB(W)5300 (-DI)

---

3Megapixel Full HD Vandal-proof IR Network In-ceiling Dome Camera



### Features

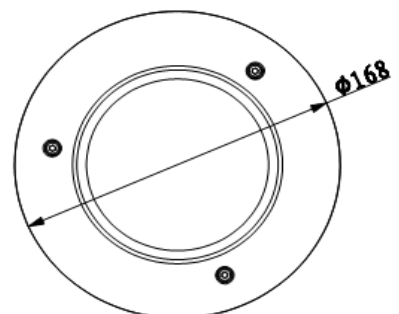
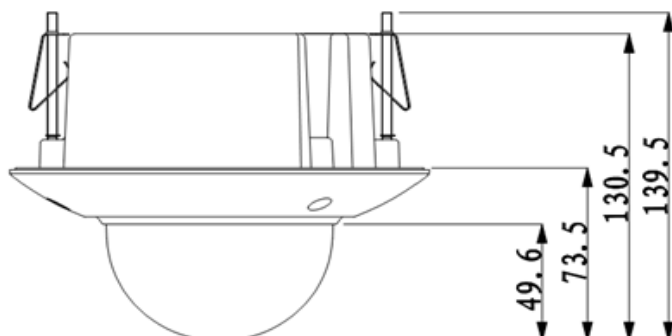
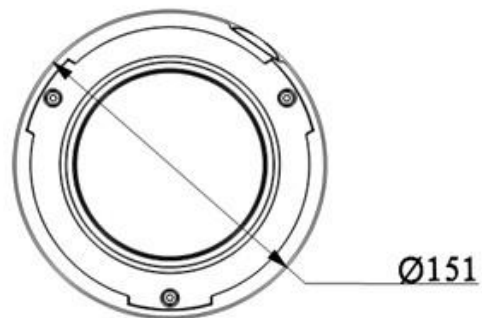
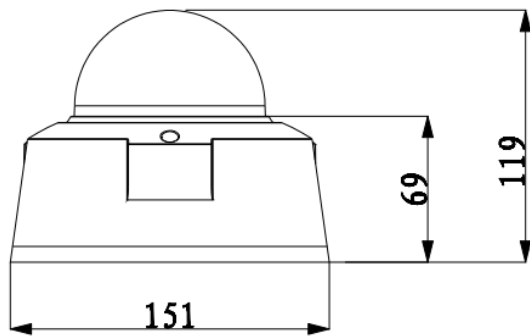
- 1/3" 3Megapixel progressive scan Aptina CMOS
- H.264 & MJPEG dual-stream encoding
- Max 20fps@3M(2048×1536) & 25/30fps@1080P(1920×1080)
- DWDR, Day/Night(ICR), 3DNR, Auto Iris, AWB, AGC, BLC
- Multiple network monitoring: Web viewer, CMS(DSS/PSS) & DMSS
- 2.7 ~12mm varifocal lens (5300)  
3 ~9mm varifocal motorized lens (5302)
- Built-in 1/1 alarm in/out
- Max. IR LEDs length 20m(for W series only)
- Micro SD memory, IP66, IK10, PoE

## Technical Specifications

Model	IPC-HDB(W)5300(-DI)		IPC-HDB(W)5302(-DI)	
<b>Camera</b>				
Image Sensor	1/3" 3Megapixel Aptina CMOS			
Effective Pixels	2048(H)x1536(V)			
Scanning System	Progressive			
Electronic Shutter Speed	Auto/Manual 1/3(4)~1/10000			
Min. Illumination	Color: 0. 1Lux/F1.2, B/W: 0.01Lux/F1.2; 0Lux/F1.2(IR on)			
S/N Ratio	More than 50dB			
Video Output	1 port			
<b>Camera Features</b>				
Max. IR LEDs Length	20m(for W series only)			
Day/Night	Auto(ICR) / Color / B/W			
Backlight Compensation	BLC / HLC / DWDR			
White Balance	Auto			
Gain Control	Auto/Manual			
Noise Reduction	3D			
Privacy Masking	Up to 4 areas			
<b>Lens</b>				
Focal Length	2.7 -12mm		3 -9mm motorized	
Max Aperture	F1.4		F1.2	
Focus Control	Manual		Auto	
Angle of View	H: 93.2°(Wide)~25.5°(Tele)		H: 86.5°(Wide)~28.6°(Tele)	
Lens Type	Manual /Auto Iris(DC)		Motorized /Auto Iris(DC)	
Mount Type	Board-in Type			
<b>Video</b>				
Compression	H.264 / MJPEG			
Resolution	3M(2048×1536)/1080P(1920×1080)/720P(1280×720)/D1(704×576)/CIF(352×288)			
Frame Rate	Main Stream	3M(1~20fps)/1080P/720P(1~25/30fps)		
	Sub Stream	D1/CIF(1 ~ 25/30fps)		
Bit Rate	H.264: 32K ~ 8192Kbps			
<b>Audio</b>				
Compression	G.711a / G.711u/ PCM			
Interface	1/1 channel In/Out			
<b>Network</b>				
Ethernet	RJ-45 (10/100Base-T)			
Wi-Fi	N/A			
Protocol	IPv4/IPv6, HTTP, HTTPS, SSL, TCP/IP, UDP, UPnP, ICMP, IGMP, SNMP, RTSP, RTP, SMTP, NTP, DHCP, DNS, PPPOE, DDNS, FTP, IP Filter, QoS, Bonjour			
Compatibility	ONVIF,PSIA,CGI			
Max. User Access	20 users			

Smart Phone	iPhone, iPad, Android, Windows Phone
<b>Auxiliary Interface</b>	
Memory Slot	Micro SD, Max 64GB
RS485	N/A
Alarm	1/1 channel In/Out
PIR Sensor Range	N/A
<b>General</b>	
Power Supply	DC12V/AC24V, PoE(802.3af)
Power Consumption	Max 5W (Motorized lens: +2W, IR on: +2W)
Working Environment	-30°C~+60°C , Less than 90%RH
Ingress Protection	IP66
Vandal Resistance	IK10
Dimensions	Φ151mm×119mm
	Φ168mm×139.5mm(-DI)
Weight	1.25Kg
	1.18Kg(-DI)

### Dimensions (mm)



## Accessories (optional)

				
PFA100	PFB302S	PFA132	PFA152	PFA151

---

Dahua Technology Co., Ltd. 1187BinAn Road, Binjiang District, Hangzhou, China  
Tel: 66956096-09126017817-09107616575  
email: [imensazaa@gmail.com](mailto:imensazaa@gmail.com)  
[www.irandahua.com](http://www.irandahua.com)