

(DH-IPC-HFW1200S)

2Megapixel Full HD Network Small IR-Bullet Camera



Features

- 1/3" 3Megapixel progressive scan CMOS
- H.264 & MJPEG dual-stream encoding
- Max 25/30fps@1080P(1920×1080)
- DWDR, Day/Night(ICR), AWB, AGC, BLC
- Multiple network monitoring: Web viewer, CMS(DSS/PSS) & DMSS
- 3.6mm fixed lens (6mm optional)
- Max. IR LEDs Length 30m
- IP66, PoE

(DH-IPC-HFW1200S)

Technical Specifications

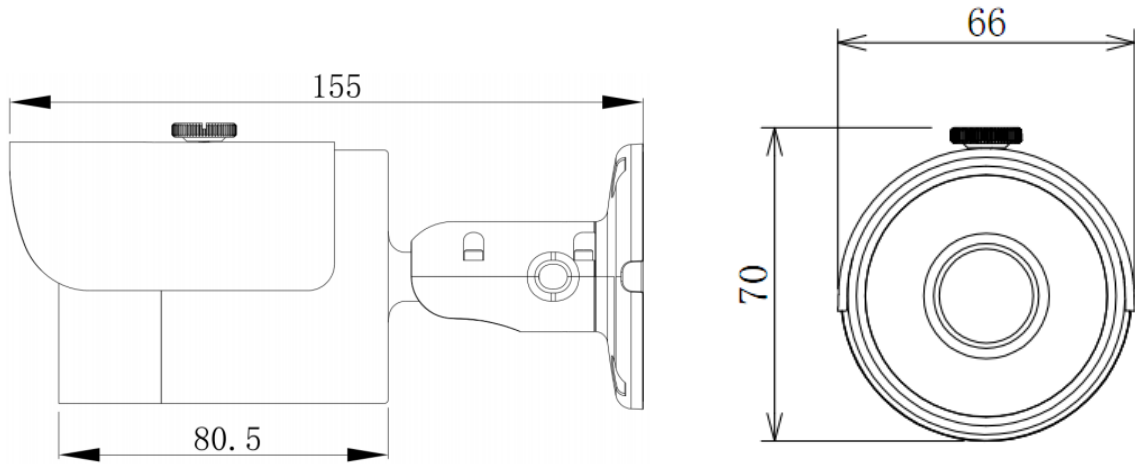
Model	VC-CAD-BL202 (DH-IPC-HFW1200S)	
Camera		
Image Sensor	1/3" 3Megapixel progressive scan CMOS	
Effective Pixels	2048(H)x1536(V)	
Scanning System	Progressive	
Electronic Shutter Speed	Auto/Manual 1/3(4)~1/10000	
Min. Illumination	Color: 0. 1Lux/F1.6; 0Lux/F1.6 (IR on)	
S/N Ratio	More than 50dB	
Video Output	N/A	
Camera Features		
Max. IR LEDs Length	30m	
Day/Night	Auto(ICR) / Color / B/W	
Backlight Compensation	BLC /HLC /DWDR	
White Balance	Auto/Manual	
Gain Control	Auto/Manual	
Noise Reduction	2D	
Privacy Masking	Up to 4 areas	
Lens		
Focal Length	3.6mm (6mm optional)	
Max Aperture	F1.6(F1.6)	
Focus Control	Manual	
Angle of View	H: 71.9°/45.3°	
Lens Type	Fixed lens	
Mount Type	Board-in Type	
Video		
Compression	H.264H/H.264B/H.264/ MJPEG	
Resolution	1080P(1920×1080)/720P(1280×720)/D1(704×576/704×480) /CIF(352×288/352×240)	
Frame Rate	Main Stream	1080P(1 ~ 25/30fps)
	Sub Stream	D1/CIF(1 ~ 25/30fps)
Bit Rate	H.264H: 16K ~ 8192Kbps	
Audio		
Compression	N/A	
Interface	N/A	
Network		
Ethernet	RJ-45 (10/100Base-T)	
Wi-Fi	N/A	
Protocol	IPv4/IPv6, HTTP, HTTPS, TCP/IP, UDP, UPnP, ICMP, IGMP, RTSP, RTP, SMTP, NTP, DHCP, DNS, PPPOE, DDNS, FTP, IP Filter, QoS	
Compatibility	ONVIF, CGI	
Max. User Access	20 users	
Smart Phone	iPhone, iPad, Android, Windows Phone	

(DH-IPC-HFW1200S)

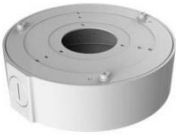



Auxiliary Interface	
Memory Slot	N/A
RS485	N/A
Alarm	N/A
PIR Sensor Range	N/A
General	
Power Supply	DC12V, PoE (802.3af)
Power Consumption	Max 4W
Working Environment	-30°C~+60°C, Less than 95%RH
Ingress Protection	IP66
Vandal Resistance	N/A
Dimensions	Φ70mm×66mm×155mm
Weight	0.42Kg

(DH-IPC-HFW1200S)

Dimensions (mm)



Accessory (optional)

			
PFA130	PFA122	PFA152	PFA151

Dahua Technology Co., Ltd. 1187BinAn Road, Binjiang District, Hangzhou, China
Tel: 66956096-09126017817-09107616575
email:imensazaa@gmail.com
www.irandahua.com