

DH-IPC-HFW1000S

1Megapixel HD Network Small IR-Bullet Camera



Features

- 1/4" 1Megapixel progressive scan CMOS
- H.264 & MJPEG dual-stream encoding
- Max 25/30fps@720P(1280×720)
- DWDR, Day/Night(ICR), 3DNR, AWB, AGC, BLC
- Multiple network monitoring: Web viewer, CMS(DSS/PSS) & DMSS
- 3.6mm fixed lens (6mm,8mm optional)
- Max. IR LEDs Length 30m
- IP66, PoE

DH-IPC-HFW1000S

Technical Specifications

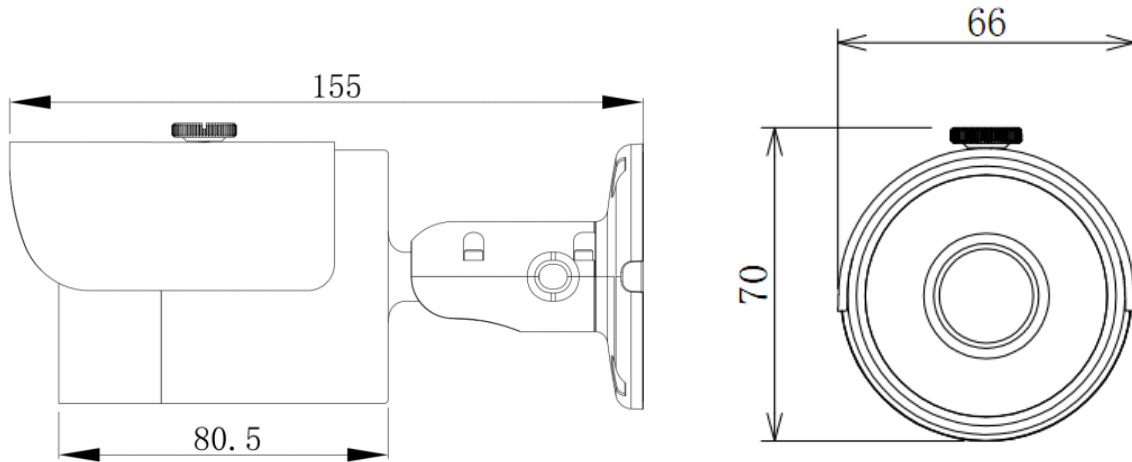
Model	DH-IPC-HFW1000S	
Camera		
Image Sensor	1/4" 1Megapixel progressive scan CMOS	
Effective Pixels	1280(H)x720(V)	
Scanning System	Progressive	
Electronic Shutter Speed	Auto/Manual 1/3(4)~1/10000	
Min. Illumination	Color: 0.01Lux/F1.8; 0Lux/F1.8 (IR on)	
S/N Ratio	More than 50dB	
Video Output	N/A	
Camera Features		
Max. IR LEDs Length	30m	
Day/Night	Auto(ICR) / Color / B/W	
Backlight Compensation	BLC /HLC /DWDR	
White Balance	Auto/Manual	
Gain Control	Auto/Manual	
Noise Reduction	3D	
Privacy Masking	Up to 4 areas	
Lens		
Focal Length	3.6mm (6mm,8mm optional)	
Max Aperture	F1.8(F1.8.F1.8)	
Focus Control	Manual	
Angle of View	H: 75.5°(48.5°/35.6°)	
Lens Type	Fixed lens	
Mount Type	Board-in Type	
Video		
Compression	H.264B/H.264/MJPEG	
Resolution	720P(1280×720)/D1(704×576/704×480) /CIF(352×288/352×240)	
Frame Rate	Main Stream	720P(1 ~ 25/30fps)
	Sub Stream	D1/CIF(1 ~ 25/30fps)
Bit Rate	H.264H: 16K ~ 8Mbps	
Audio		
Compression	N/A	
Interface	N/A	
Network		
Ethernet	RJ-45 (10/100Base-T)	
Wi-Fi	N/A	
Protocol	IPv4/IPv6, HTTP, HTTPS, TCP/IP, UDP, UPnP, ICMP, IGMP, RTSP, RTP, SMTP, NTP, DHCP, DNS, PPPOE, DDNS, FTP, IP Filter, QoS	
Compatibility	ONVIF, CGI	
Max. User Access	20 users	
Smart Phone	iPhone, iPad, Android, Windows Phone	
Auxiliary Interface		

DH-IPC-HFW1000S

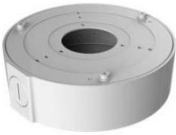



Memory Slot	N/A
RS485	N/A
Alarm	N/A
PIR Sensor Range	N/A
General	
Power Supply	DC12V, PoE (802.3af)
Power Consumption	Max 4W
Working Environment	-30°C~+60°C, Less than 95%RH
Ingress Protection	IP66
Vandal Resistance	N/A
Dimensions	Φ70mm×66mm×155mm
Weight	0.42Kg

DH-IPC-HFW1000S

Dimensions (mm)



Accessory (optional)

			
PFA130	PFA122	PFA152	PFA151

Dahua Technology Co., Ltd. 1187BinAn Road, Binjiang District, Hangzhou, China
Tel: 66956096-09126017817-09107616575
email:imensazaa@gmail.com
www.irandahua.com