

DH-IPC-HD1200C-W

2MP Full HD Wi-Fi Mini Dome Camera



Features

- 1/3" 3Megapixel progressive scan CMOS
- H.264 & MJPEG dual-stream encoding
- Max 25/30fps@1080P(1920×1080)
- DWDR, Day/Night, AWB, AGC, BLC
- Multiple network monitoring: Web viewer, CMS(DSS/PSS) & DMSS
- 3.6mm fixed lens (2.8mm optional)
- Wi-Fi support
- DC12V

DH-IPC-HD1200C-W

Technical Specifications

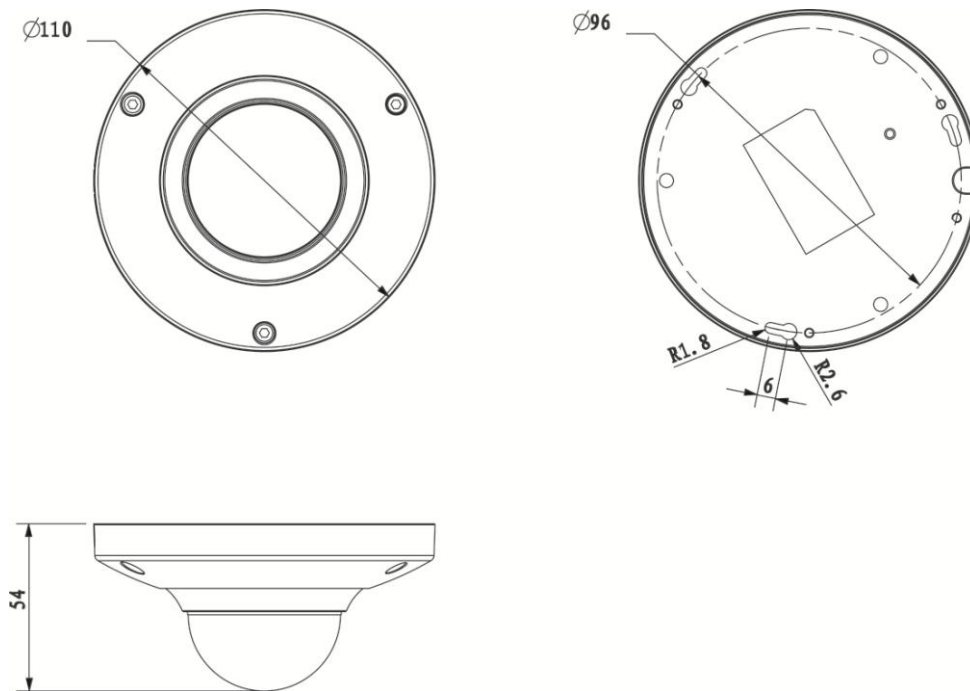
Model		DH-IPC-HD1200C-W
Camera		
Image Sensor	1/3" 3Megapixel progressive scan CMOS	
Effective Pixels	2048(H)x1536(V)	
Scanning System	Progressive	
Electronic Shutter Speed	Auto/Manual 1/3 (4) ~1/10000	
Min. Illumination	0.1Lux/F1.8(color), 0Lux/1.8(IR on)	
S/N Ratio	More than 50dB	
Video Output	N/A	
Camera Features		
Max. IR LEDs Length	N/A	
Day/Night	Auto(Electronic) / Color / B/W	
Backlight Compensation	BLC /HLC /DWDR	
White Balance	Auto	
Gain Control	Auto/Manual	
Noise Reduction	2D	
Privacy Masking	Up to 4 areas	
Lens		
Focal Length	3.6mm (2.8mm optional)	
Max Aperture	F1.8(F2.0)	
Focus Control	Manual	
Angle of View	H:73°(90°)	
Lens Type	Fixed	
Mount Type	Board-in Type	
Video		
Compression	H.264 / MJPEG	
Resolution	1080P(1920×1080)/720P(1280×720)/D1(704×576/704×480)/CIF(352×288/352×240)/	
Frame Rate	Main Stream	1080P(1 ~ 25/30fps)
	Sub Stream	D1/CIF(1 ~ 25/30fps)
Bit Rate	H.264: 56K ~ 8192Kbps	
Audio		
Compression	N/A	
Interface	N/A	
Network		
Ethernet	RJ-45 (10/100Base-T)	
Wi-Fi	Wi-Fi(802.11b/g/n)	
Protocol	IPv4/IPv6, HTTP, HTTPS, SSL, TCP/IP, UDP, UPnP, ICMP, IGMP, SNMP, RTSP, RTP, SMTP, NTP, DHCP, DNS, PPPOE, DDNS, FTP, IP Filter, QoS, Bonjour	
ONVIF	ONVIF ,CGI	

DH-IPC-HD1200C-W



Max. User Access	20 users
Smart Phone	iPhone, iPad, Android, Windows Phone
Auxiliary Interface	
Memory Slot	N/A
RS485	N/A
Alarm	N/A
PIR Sensor Range	N/A
General	
Power Supply	DC12V
Power Consumption	<4W
Working Environment	-30°C~+50°C, Less than 95%RH
Ingress Protection	N/A
Vandal Resistance	N/A
Dimensions	Φ110×54mm
Weight	0.25kg

DH-IPC-HD1200C-W

Dimensions (mm)



Accessories (optional)

	
PFA131	PFB200W

Dahua Technology Co., Ltd.

1187 BinAn Road, Binjiang District, Hangzhou, China

Tel: +86-571-87688883

Fax: +86-571-87688815

Email: overseas@dahuatech.com

www.dahuatech.com

*Design and specifications are subject to change without notice.

© 2013 Dahua Technology Co., Ltd.