

DH-SD6983A-HN

3Mp Full HD Network IR PTZ Dome Camera



DH-SD6983A-HN: 20x optical zoom, 3.0Mp Exmor CMOS, 15fps@3MPX - 25/30fps@1080P, IR LED, IP66, Dahua Full HD Block Camera

DH-SD6983A-HN

Features

Camera & Video

- 1/3" 3Megapixel progressive scan Exmor CMOS
- Powerful 20x optical zoom and 16x digital zoom
- H.264 & Dual-stream video encoding and JPEG image capture
- Max 15fps@3MPX - Max 25/30fps@1080P resolution
- Day/Night(ICR), Auto iris, Auto focus, AWB, BLC
- Up to 24 privacy masking areas
- Built-in Web server, NVR, CMS(PSS/DSS) & DMSS

Dome Drive

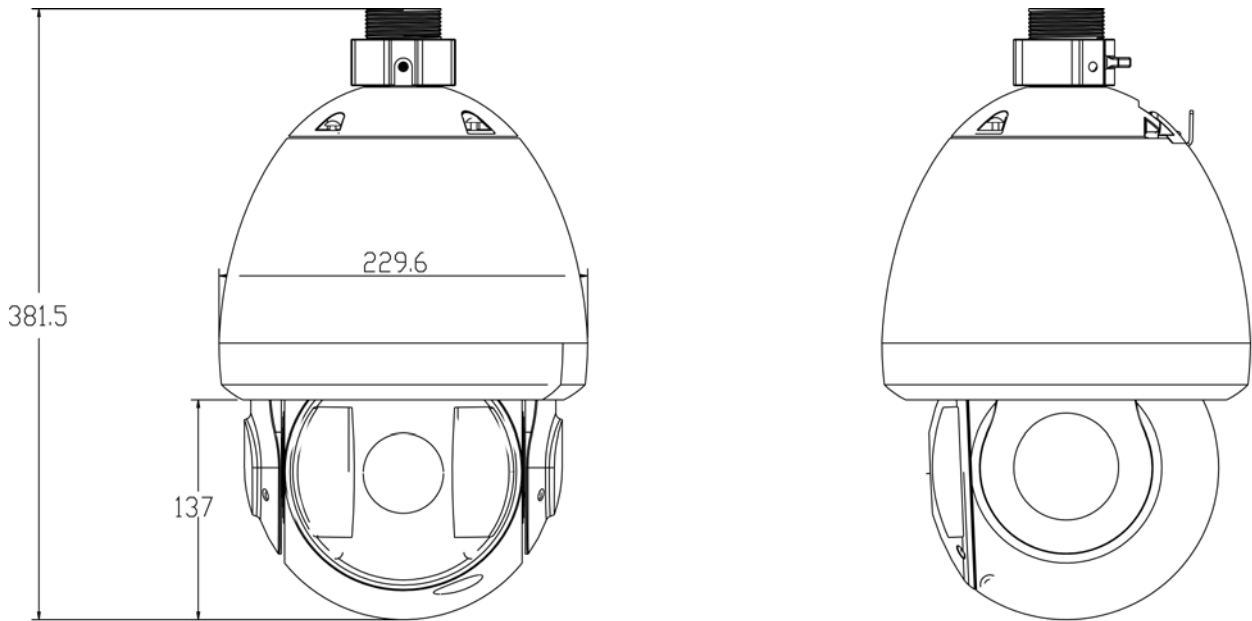
- Max 240 °/s pan speed, 360° continuous pan rotation & auto flip with no blind spot monitor
- Up to 255 preset, 5 auto scan, 8 tour, 5 pattern
- Auto recognition of general protocols such as DH-SD, Pelco-P/D, and etc
- Speed setup according to the focal distance, auto rotation speed adjust in accordance with the lens zoom rate
- Auto restore to previous PTZ and lens status after power failure
- Time Task: Auto activation of Preset/Scan/Tour/ Pattern by preset-time
- Idle Motion: Call preset/tour and etc operations after idle for the specified time (including the idle status after the system boots up)
- OSD and operation prompts of various languages
- Build-in 7/2 channel alarm input/output
- Intelligent 3D positioning function
- IP67 all-environments protection and built-in auto constant temperature control device
- 4000V thunder, surge and wave-proof protection

IR LED

- The longest distance of the build-in IR LED is over 100m

DH-SD6983A-HN

Dimensions (mm)



DH-SD6983A-HN

Specifications

Model	DH-SD6982A-HN	
Camera		
Image Sensor	1/3" progressive scan Exmor CMOS	
Effective Pixels	Approx. 3 Megapixels	
Lens	20x optical zoom	
	f=4.7mm(Wide)~94.0mm(Tele), F1.6~F3.5	
Digital Zoom	16x	
Horizontal Viewing Angle	55.4°(wide) ~ 2.90°(tele)	
Min. Object Distance	10mm~1000mm (wide~tele)	
Min. Illumination	1.8Lux/F1.6(color); 0.02Lux/F1.6(B/W)	
Electronic Shutter	1/1 to 1/30,000 s	
White Balance	AWB(3200to7500K);ATB(2000to10000K);Indoor(3200K); Outdoor(5800K);Manual	
Day/Night	Auto(ICR) / Color / B/W	
S/N Ratio	More than 50 dB	
Privacy Masking	ON/OFF (up to 24 privacy masking areas)	
Analog Video Output	BNC(1.0Vp-p / 75Ω), PAL / NTSC	
Video & Audio		
Video Compression	H.264 / MPEG4	
Image Resolution	3MP (2048X1536) / 1080P(1920×1080) / 720P(1280×720) / D1(704×576/704×480)	
Encoding Speed	Main Stream	PAL: 3MP(1~15fps) / (1080P/720P(1~25fps)
		NTSC: 3MP(1~15fps) / 1080P/720P(1~30fps)
	Extra Stream	PAL: D1(1~25fps)
		NTSC: D1(1~30fps)
Bit Rate	32K~8Mbps	
Audio Compression	G.711a(32Kbps) / AMR(10.2Kbps)	
Audio Mode	Off/Audio input/Audio output	
Dome Drive		
Pan/Tilt Range	Horizontal: 0°~360° endless, Vertical: -2°~90° auto flip 180° to continue monitor	
Manual Control Speed	Horizontal: 0.1° ~160° /s, Vertical: 0.1° ~120° /s	
Preset Speed	Horizontal: 240° /s, Vertical: 200° /s	
Preset	255	
PTZ Mode	5 Auto Pattern, 8 Auto Tour, 5 auto scan	
3D Positioning	Yes	
Speed Setup	Human-oriented focal Length/ speed adaptation	
Info Display	Time, Location, Dome title, Dome coordinates, Temperature, Alarm, and etc.	
Power up Action	Auto restore to previous PTZ and lens status after power failure	
Idle Motion	Activate preset/scan/tour/ patter if there is no command in the	

DH-SD6983A-HN

	specified period.
Time Task	Auto activation of Preset/Scan/Tour/ Pattern by preset-time
Alarm	7/2 alarm input/output, Triggering Preset/Tour/Pattern/Scan/Alarm output
Protocol	DH-SD, Pelco-P/D, Auto recognition of general protocols
IR LED	Auto / Near light / Far light / OFF, 6 Near light + 8 Far light, up to 100m
Network	
Ethernet	RJ-45 (10/100Base-T)
Network Functions	HTTP, TCP/IP, ICMP, RTSP, RTP, UDP, SMTP, NTP, DHCP, DNS, IP Filter, PPPOE, DDNS, FTP, Alarm Server
Max Remote Users	20 Users simultaneously
Processor	TI DaVinci Series DSP
Operating System	Embedded LINUX
Resource	Simultaneous remote monitoring, remote operation & local recording
Remote Operation	Monitor, PTZ control, Voice Intercom, System setting, Playback, File download, Log information, Maintenance & Upgrade
Local Recording	SD/SDHC, Max 32GB
User Interface	WEB, CMS(DSS/ PSS), DMSS, NVR
General	
Power Supply	AC 24V/3A ($\pm 10\%$)
Power Consumption	12W/30W(IR LED ON)
Working Temperature	-30°C ~ 60°C
Working Humidity	<90%
Protection Level	IP67, 4000V thunder, surge and wave-proof protection
Dimension	$\Phi 229.6$ (mm) x 381.5 (mm)
Weight	7.0kg