

DH-HAC-HDBW1100R-VF

1Megapixel 720P Vandal-proof IR HDCVI Dome Camera



Features

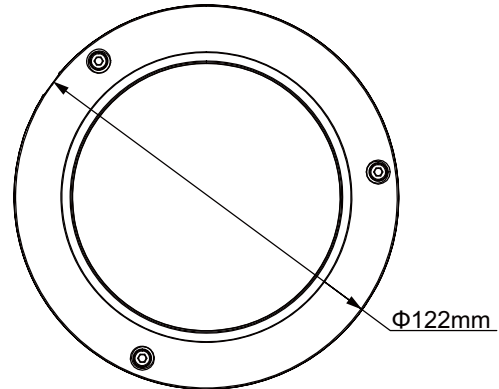
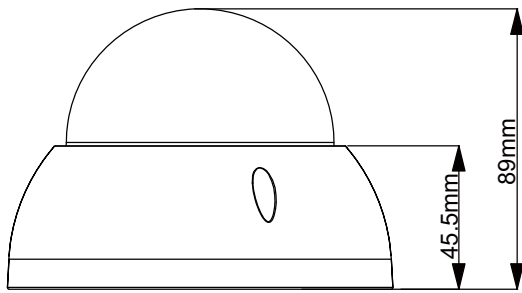
- 1/2.9" 1Megapixel CMOS
- 25/30fps@720P
- High speed, long distance real-time transmission
- Day/Night(ICR), AWB, AGC, BLC, 2D-DNR
- 2.7~12mm vari-focal lens
- Max. IR LEDs length 30m, Smart IR
- IP66, IK10, DC12V

DH-HAC-HDBW1100R-VF

Technical Specifications

Model	DH-HAC-HDBW1100RP-VF	DH-HAC-HDBW1100RN-VF
Camera		
Image Sensor	1/2.9" 1Megapixel CMOS	
Effective Pixels	1280(H)×720(V)	
Electronic Shutter	1/50s~1/100,000s	1/60s~1/100,000s
Video Frame Rate	25fps@720P	30fps@720P
Synchronization	Internal	
Min. Illumination	0.01Lux@F1.2(AGC ON), 0Lux IR on	
Video Output	1-channel BNC HDCVI high definition video output	
Camera Features		
Max. IR LEDs Length	30m, Smart IR	
Day/Night	Auto(ICR) / Color / B/W	
Noise Reduction	2D	
Lens		
Focal Length	2.7~12mm	
Lens Type	Manual / Fixed Iris	
Mount Type	Φ14	
General		
Power Supply	DC12V±10%	
Power Consumption	Max 5W	
Working Environment	-30°C~+60°C / Less than 95%RH (no condensation)	
Transmission Distance	Over 500m via 75-3 coaxial cable	
Ingress Protection	IP66 & IK10	
Dimensions	Φ122mm×89mm	
Weight	0.45kg	

DH-HAC-HDBW1100R-VF



Dahua Technology Co., Ltd. 1187BinAn Road, Binjiang District, Hangzhou, China
Tel: 66956096-09126017817-09107616575
email:imensazaa@gmail.com
www.irandahua.com