

DH-HAC-HFW2220DN-B

2.4Megapixel 1080P Water-proof IR HDCVI Camera



Features

- 1/2.8" 2.4Megapixel CMOS
- 30fps@1080P, 30/60fps@720P
- High speed, long distance real-time transmission
- HD and standard definition switchable
- OSD Menu, control over coaxial cable
- Day/Night(ICR), AWB, AGC, BLC, 3D-DNR
- 8mm fixed lens (3.6 mm, 6mm, 12mm, 16mm optional)
- Max. IR LEDs length 50m, Smart IR
- IP66, DC12V
- Default with bracket

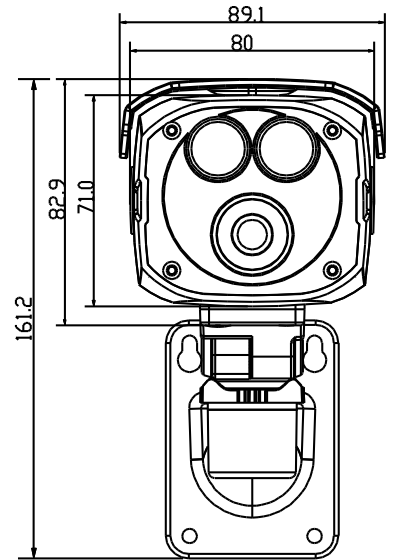
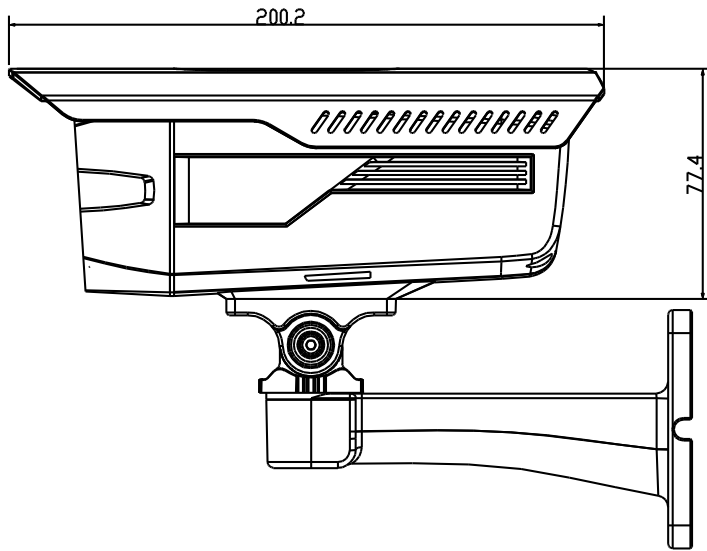
DH-HAC-HFW2220DN-B

Technical Specifications

Model	DH-HAC-HFW2220DN-B
Camera	
Image Sensor	1/2.8" 2.4Megapixel CMOS
Effective Pixels	1984(H)×1225(V)
Electronic Shutter	1/3(s)~1/100,000s
Video Frame Rate	30/60fps@720P; 30fps@1080P
Synchronization	Internal
Min. Illumination	0.05Lux@F1.2(AGC ON), 0Lux IR on
Video Output	1-channel BNC HDCVI high definition video output/ CVBS standard definition video output (Can switch)
Camera Features	
Max. IR LEDs Length	50m, Smart IR
Day/Night	Auto(ICR) / Color / B/W
Noise Reduction	2D/3D
OSD Menu	Support
Lens	
Focal length	8mm (3.6mm, 6mm, 12mm, 16mm optional)
Mount Type	M12
General	
Power Supply	DC12V±10%
Power Consumption	Max 8W
Working Environment	-30°C~+60°C / Less than 95%RH (no condensation)
Transmission Distance	Over 300m via 75-3 coaxial cable
Ingress Protection	IP66
Dimensions(W×D×H)	200.2mm×89.1mm×161.2mm
Weight	0.58kg
Others	Default: bracket included

DH-HAC-HFW2220DN-B

Dimensions (mm)



Accessories (optional)

