

## DH-HAC-HFW2220S

---

### 2.4Megapixel 1080P Water-proof HDCVI IR-Bullet Camera



#### Features

- 1/2.8" 2.4Megapixel CMOS
- 25/30fps@1080P, 25/30/50/60fps@720P
- High speed, long distance real-time transmission
- HD and SD switchable
- OSD Menu, control over coaxial cable
- DWDR, Day/Night(ICR), AWB, AGC, BLC, 3DNR
- 3.6mm fixed lens (6mm, 8mm optional)
- Max. IR LEDs length 30m, Smart IR
- IP67, DC12V

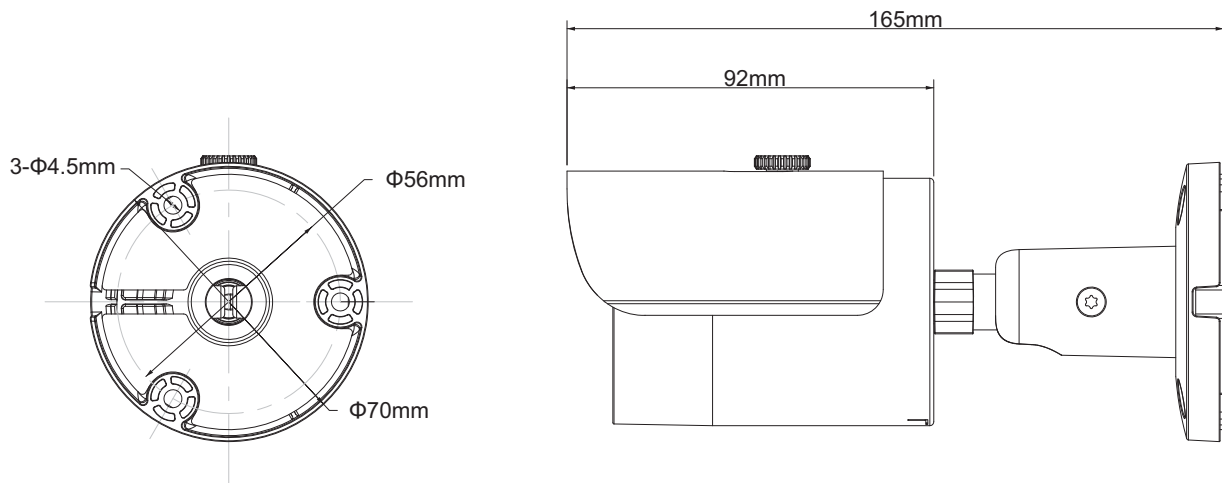
# DH-HAC-HFW2220S

## Technical Specifications

Model	DH-HAC-HFW2220SP	DH-HAC-HFW2220SN
<b>Camera</b>		
Image Sensor	1/2.8" 2.4Megapixel CMOS	
Effective Pixels	1984(H)×1225(V)	
Electronic Shutter	1/3s~1/100,000s	
Video Frame Rate	25/30/50/60fps@720P; 25/30fps@1080P	
Synchronization	Internal	
Min. Illumination	0.05Lux/F1.8, 0Lux IR on	
Video Output	1-channel BNC HDCVI high definition video output/ CVBS standard definition video output (Can switch)	
<b>Camera Features</b>		
Max. IR LEDs Length	30m, Smart IR	
Day/Night	Auto(ICR) / Color / B/W	
Noise Reduction	2D/3D	
OSD Menu	Support	
<b>Lens</b>		
Focal length	3.6mm (6mm, 8mm optional)	
Angle of View	H: 88° (55° /38.6°)	
Mount Type	M12	
<b>General</b>		
Power Supply	DC12V±20%	
Power Consumption	Max 4.8W	
Working Environment	-30°C~+60°C / Less than 95%RH (no condensation)	
Transmission Distance	Over 500m via 75-3 coaxial cable	
Ingress Protection	IP67	
Dimensions(W×D×H)	Φ70mm×165mm	
Weight	0.35kg	
Material	Metal	

# DH-HAC-HFW2220S

## Dimensions (mm)



## Accessories (optional)

