

DH-CA-FW480

700TVL Day/Night Water-proof IR Camera



Features

- 1/3" SONY EXview HAD CCD II & Effio-E DSP
- High resolution of 700TVL
- DWDR, Day/Night(ICR), 2DNR, AWB, AGC, BLC, MD, Privacy Masking, Picture Adjustment
- 2.8~12mm vari-focal lens
- IR LEDs length 30m, Smart IR
- OSD, IP66, DC12V

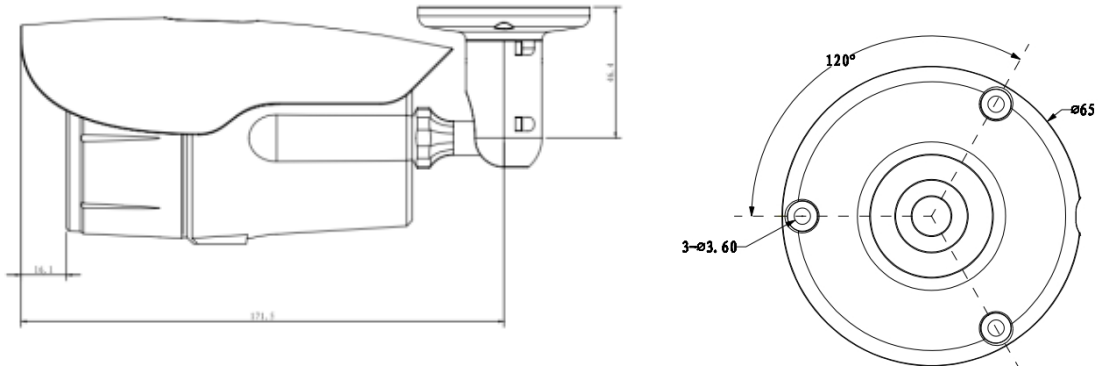
DH-CA-FW480

Technical Specifications

Model	DH-CA-FW480P	DH-CA-FW480N
Camera		
Image Sensor	1/3" EXview HAD CCD II	
Effective Pixels	976(H)×582(V), 570K pixels	976(H)×494(V), 480K pixels
Horizontal Resolution	700TVL	
Electronic Shutter	1/50s~1/100,000s	1/60s~1/100,000s
Synchronization	Internal	
Min. Illumination	0.02Lux@F1.2(0Lux IR LED on)	
S/N Ratio	> 65dB	
Video Output	1Vp-p Composite Output (75Ω/BNC)	
Camera Features		
Max. IR LEDs Length	30m, Smart IR	
OSD	English, Chinese, French, German, Russian, Spanish, Portuguese, Japanese	
Day/Night	Auto(Electronic) / Color / B/W	
Backlight Compensation	BLC / HLC / DWDR	
White Balance	Auto Trace WB1 / Auto Trace WB2 / Manual / Auto	
Gain Control	Auto / Manual	
Noise Reduction	2D	
Privacy Masking	Up to 4 areas	
Picture Adjustment	Mirror / Brightness / Contrast / Sharpness / Hue / Gain	
Lens		
Focal Length	2.8~12mm vari-focal lens	
Angle of View	H: 90° ~28.7°	
Lens Type	Manual / Fixed Iris	
Mount Type	Φ14	
General		
Power Supply	DC12V±10%	
Power Consumption	Max 7.5W	
Working Environment	-30°C~+60°C / 20%~80%RH	
Ingress Protection	IP66	
Dimensions(W×D×H)	202mm×83.9mm×82.7mm	
Weight	0.65kg	
Others	Default: bracket included	

DH-CA-FW480

Dimensions (mm)



Dahua Technology Co., Ltd. 1187BinAn Road, Binjiang District, Hangzhou, China
Tel: 66956096-09126017817-09107616575
email:imensazaa@gmail.com
www.irandahua.com