

DH-CA-DW480E

700TVL Water-proof IR Mini Dome Camera



Features

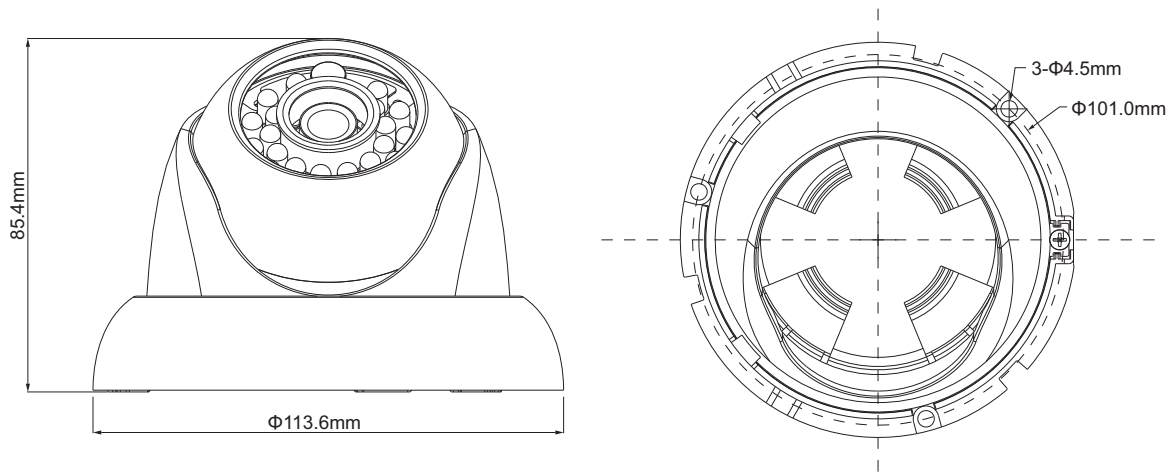
- 1/3" SONY Super EXview CCD II & Effio-E DSP
- High resolution of 700TVL
- Day/Night, AWB, AGC, BLC
- 3.6mm fixed lens (2.8mm, 6mm, 8mm optional)
- Max. IR LEDs length 20m, Smart IR
- IP66, DC12V

DH-CA-DW480E




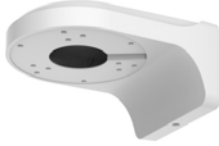

Technical Specifications

Model	DH-CA-DW480EP	DH-CA-DW480EN
Camera		
Image Sensor	1/3" EXview HAD CCD II	
Effective Pixels	976(H)×582(V), 570K pixels	976(H)×494(V), 480K pixels
Horizontal Resolution	700TVL	
Electronic Shutter	1/50s~1/100,000s	1/60s~1/100,000s
Min. Illumination	0.001Lux@F1.2(AGC ON), 0Lux IR on	
S/N Ratio	>65dB	
Video Output	1Vp-p Composite Output (75Ω/BNC)	
Camera Features		
Max. IR LEDs Length	20m, Smart IR	
Day/Night	Auto(Electronic) / Color / B/W	
Backlight Compensation	BLC	
White Balance	Auto	
Gain Control	Auto	
Lens		
Focal length	3.6mm (2.8mm, 6mm, 8mm optional)	
Angle of View	H: 70° (89° /46.5° /35°)	
Mount Type	M12	
General		
Power Supply	DC12V±10%	
Power Consumption	Max 3W	
Working Environment	-30°C~+60°C / 20%~80%RH	
Ingress Protection	IP66	
Dimensions	Φ113.6mm×85.4mm	
Weight	0.3kg	

DH-CA-DW480E



Accessories (optional)

				
PFA130	PFA151	PFA152	PFB200W	PFA122

Dahua Technology Co., Ltd. 1187BinAn Road, Binjiang District, Hangzhou, China

Tel: 66956096-09126017817-09107616575

email:imensazaa@gmail.com

www.irandahua.com