

DH-IPC-HF8331E

3MP WDR Ultra-Smart Network Camera



Features

- 1/2.8" 3 Megapixel progressive scan CMOS
- Support H.265/H.264/MJPEG dual codec
- Smart triple streams supported
- Max 25/30fps@3MP(2048x1536)
- Ultra WDR up to 140dB
- Ultra 3D DNR
- Ultra Defog, ROI, EIS
- Smart detection
- Intelligent Function
- Auto back focus
- Bulit-in Mic

DH-IPC-HF8331E

Technical Specifications

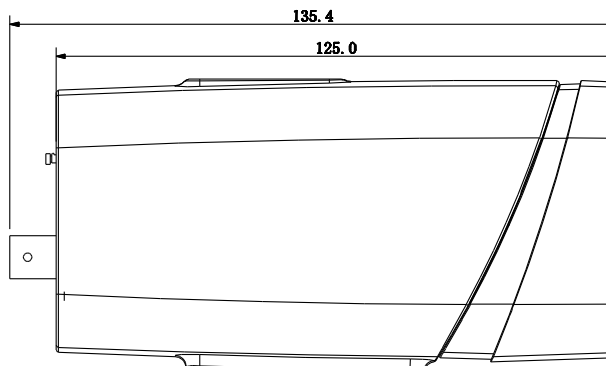
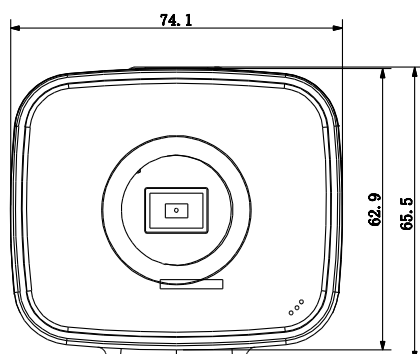
Model	DH-IPC-HF8331E	
Camera		
Image Sensor	1/2.8" 3Megapixel CMOS	
Effective Pixels	2048(H)x1536(V)	
Scanning System	Progressive	
Electronic Shutter Speed	Auto/Manual, 1/3(4)~1/100000s	
Min. Illumination	0. 01Lux/F1.2(Color), 0.001Lux/F1.2(B/W)	
S/N Ratio	More than 50dB	
Video Output	1 channel BNC (1.0Vp-p,75Ω)	
Camera Features		
Max. IR LEDs Length	N/A	
Day/Night	Auto(ICR)/Color/B/W	
Backlight Compensation	BLC / HLC / WDR 140dB	
White Balance	Auto/Manual	
Gain Control	Auto/Manual	
Noise Reduction	Ultra 3D	
Privacy Masking	Up to 4 areas	
EIS	Support	
Ultra Defog	Support	
Smart focus	ABF	
Lens		
Mount Type	C/CS	
Video		
Compression	H.265/H.264/MJPEG	
Resolution	3M(2048×1536)/1080P(1920×1080)/720P(1280×720)/D1(704×576))/CIF(352×288)	
Frame Rate	Main Stream	3M/1080P (1~25/30fps)
	Sub Stream	D1/CIF(1 ~ 25/30fps)
	Third Stream	1080P/720P/D1(1 ~ 25/30fps)
Bit Rate	H.264: 40K ~ 10Mbps	
ROI	Up to 4 areas	
Audio		
Compression	G.711a / G.711u	
Interface	1/1 channel In/Out(Built in Mic)	
Smart Function		
Smart detection	Tripwire	
	Intrusion	
	Scene change	
	Missing/Abandoned	
	Audio detect	
	Face detect	
Intelligent function	People counting	

DH-IPC-HF8331E

	Heat map
Network	
Ethernet	RJ-45 (10/100Base-T)
Wi-Fi	N/A
Protocol	IPv4/IPv6, HTTP, HTTPS, SSL, TCP/IP, UDP, UPnP, ICMP, IGMP, SNMP, RTSP, RTP, SMTP, NTP, DHCP, DNS, PPPOE, DDNS, FTP, IP Filter, QoS, Bonjour
Compatibility	ONVIF, PSIA, CGI
Max. User Access	20 users
Smart Phone	iPhone, iPad, Android, Windows Phone
Auxiliary Interface	
Memory Slot	Micro SD, Max 128GB
Alarm	2/1 channel In/Out
General	
Power Supply	DC12V/AC24V, PoE (802.3af)
Power Consumption	Max 10W (ICR&ABF on, MotorizedLens)
Working Environment	-30°C~+60°C, Less than 95% RH
Ingress Protection	N/A
Dimensions	71.4mm×65.5mm×135.4mm
Weight	0.58Kg

DH-IPC-HF8331E

Dimensions (mm)



Accessory (optional)

		
PFB120W	PFB121W	PFA121

Dahua Technology Co., Ltd. 1187BinAn Road, Binjiang District, Hangzhou, China
Tel: 66956096-09126017817-09107616575
email:imensazaa@gmail.com
www.irandahua.com