

DH-IPC-HDBW5121E-Z

1.3MP HD WDR Network Vandal-proof IR Dome Camera



Features

- 1/3" 1.3Megapixel progressive scan CMOS
- Support H.264&MJPEG dual codec
- 25/30fps@1.3M(1080×960)
- Smart Detection supported
- WDR(120dB), Day/Night(ICR), 3DNR, AWB, AGC, BLC
- Multiple network monitoring: Web viewer, CMS(DSS/PSS) & DMSS
- 2.7mm ~12mm motorized lens
- 1/1 Alarm in/out, 1/1 audio in/out
- Max. IR LEDs Length 50m
- Micro SD memory, IP67, IK10, PoE

DH-IPC-HDBW5121E-Z

Technical Specifications

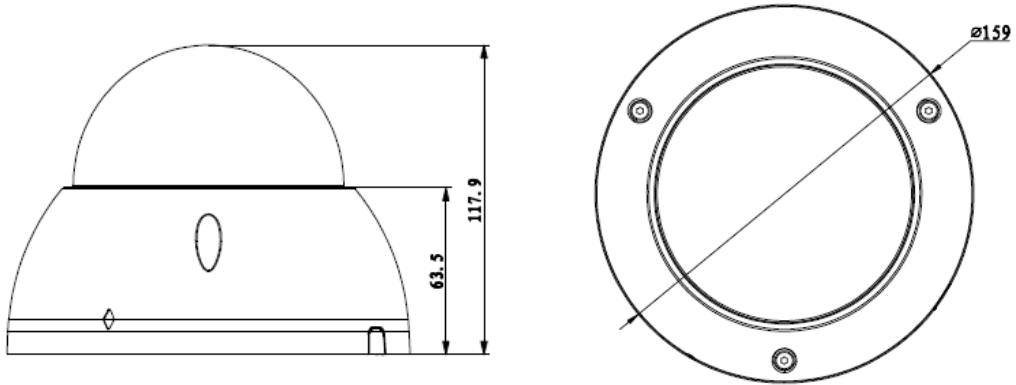
Model	DH-IPC-HDBW5121E-Z	
Camera		
Image Sensor	1/3" 1.3Megapixel progressive scan CMOS	
Effective Pixels	1080(H) x 960(V)	
Scanning System	Progressive	
Electronic Shutter Speed	Auto/Manual, 1/3(4)~1/100000s	
Min. Illumination	0.01Lux/F1.4(Color); 0Lux/F1.4(IR on)	
S/N Ratio	More than 50dB	
Video Output	1 port	
Camera Features		
Max. IR LEDs Length	50m	
Day/Night	Auto(ICR) / Color / B/W	
Backlight Compensation	BLC / HLC /WDR(120dB)	
White Balance	Auto/Sunny/Night/Outdoor/Customized	
Gain Control	Auto/Manual	
Noise Reduction	3D	
Privacy Masking	Up to 4 areas	
Lens		
Focal Length	2.7mm~12mm	
Max Aperture	F1.4	
Focus Control	Motorized	
Angle of View	H: 90°~29°	
Lens Type	Motorized/ Auto Iris(DC)	
Mount Type	Board-in Type	
Video		
Compression	H.264/H.264H/H.264B/MJPEG	
Resolution	1.3M(1280×960)/720P(1280×720)/D1(704×576/704×480)/CIF(352×288/352×240)	
Frame Rate	Main Stream	1.3M/720P(1 ~ 25/30fps)
	Sub Stream	D1/CIF(1 ~ 25/30fps)
	Third Stream	720P(1 ~ 14/7fps)
Bit Rate	H.264: 32K ~ 10Mbps	
Corridor Mode	Support	
Audio		
Compression	G.711a/ G.711u/ AAC	
Interface	1/1 channel In/Out	
Smart Function		
Smart detection	Tripwire	
	Intrusion	
	Abandoned/Missing	
	Scene Change	

DH-IPC-HDBW5121E-Z





	Audio detect
	Face detect
Network	
Ethernet	RJ-45 (10/100Base-T)
Wi-Fi	N/A
Protocol	IPv4/IPv6, HTTP, HTTPS, SSL, TCP/IP, UDP, UPnP, ICMP, IGMP, SNMP, RTSP, RTP, SMTP, NTP, DHCP, DNS, PPPOE, DDNS, FTP, IP Filter, QoS, Bonjour,802.1x
ONVIF	ONVIF,PSIA,CGI
Max. User Access	20users
Smart Phone	iPhone, iPad, Android, Windows Phone
Auxiliary Interface	
Memory Slot	Micro SD, Max 128GB
RS485	N/A
Alarm	1/1 channel In/Out
PIR Sensor Range	N/A
General	
Power Supply	DC12V(AC24V optional), PoE (802.3af)
Power Consumption	Max 10W (with IR on, motorized lens working)
Working Environment	-30°C~+60°C, Less than 95% RH
Ingress Protection	IP67
Vandal Resistance	IK10
Dimensions	Φ 159mm×117.9mm
Weight	0.8Kg

DH-IPC-HDBW5121E-Z

Dimensions (mm)



Accessory (optional)

PFA101	PFB302S	PFA152	PFB300C
			

Dahua Technology Co., Ltd. 1187BinAn Road, Binjiang District, Hangzhou, China
Tel: 66956096-09126017817-09107616575
email:imensazaa@gmail.com
www.irandahua.com