

DH-IPC-HDBW4200E

2Megapixel Full HD Network IR Mini Dome Camera



Features

- 1/3" 2Megapixel progressive scan Exmor CMOS
- H.264&MJPEG dual-stream encoding
- 25/30fps@1080P(1920×1080)
- DWDR, Day/Night(ICR), 3DNR,AWB,AGC,BLC
- Multiple network monitoring: Web viewer, CMS(DSS/PSS) & DMSS
- 3.6mm fixed lens (2.8mm, 6mm optional)
- Max. IR LEDs Length 30m
- IP66, IK10, PoE

DH-IPC-HDBW4200E

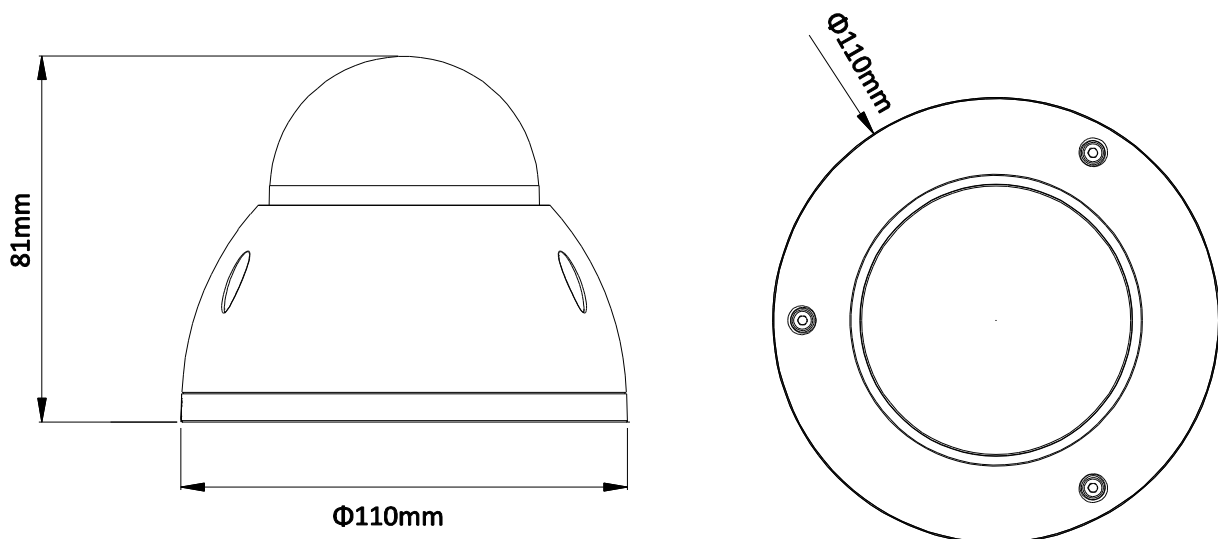
Technical Specifications

Model	IPC-HDBW4200E-(A)(S)	
Camera		
Image Sensor	1/3" 2Megapixel progressive scan Exmor CMOS	
Effective Pixels	1920(H)x1080(V)	
Scanning System	Progressive	
Electronic Shutter Speed	Auto/Manual, 1/3(4)~1/10000s	
Min. Illumination	0. 1Lux/F1.8 (Color), 0.01Lux/F1.8(B/W)	
S/N Ratio	More than 50dB	
Video Output	N/A	
Camera Features		
Max. IR LEDs Length	30m	
Day/Night	Auto(ICR)/Color/B/W	
Backlight Compensation	BLC / HLC / DWDR	
White Balance	Auto/Manual	
Gain Control	Auto/Manual	
Noise Reduction	3D	
Privacy Masking	Up to 4 areas	
Lens		
Focal Length	3.6mm (2.8mm, 6mm optional)	
Max Aperture	F1.8(F2.0/F1.8)	
Focus Control	Manual	
Angle of View	H: 72.5°/90°/44°	
Lens Type	Fixed lens	
Mount Type	Board-in Type	
Video		
Compression	H.264/ MJPEG	
Resolution	1080P(1920×1080) / 720P(1280×720) / D1(704×576/704×480) / CIF(352×288/352×240)	
Frame Rate	Main Stream	1080P/720P(1 ~ 25/30fps)
	Sub Stream	D1/CIF(1 ~ 25/30fps)
Bit Rate	H.264: 32K ~ 8192Kbps	
Audio		
Compression	G.711a/G.711u/PCM(-AS)	
Interface	1/1 channel In/Out(-AS)	
Network		
Ethernet	RJ-45 (10/100Base-T)	
Wi-Fi	N/A	
Protocol	IPv4/IPv6, HTTP, HTTPS, SSL, TCP/IP, UDP, UPnP, ICMP, IGMP, SNMP, RTSP, RTP, SMTP, NTP, DHCP, DNS, PPPOE, DDNS, FTP, IP Filter, QoS, Bonjour	
ONVIF	ONVIF Profile S	
Max. User Access	20 users	

DH-IPC-HDBW4200E



Smart Phone	iPhone, iPad, Android, Windows Phone
Auxiliary Interface	
Memory Slot	Micro SD Max 64GB(-AS/-S)
RS485	N/A
Alarm	1/1 channel In/Out(-AS)
PIR Sensor Range	N/A
General	
Power Supply	DC12V, PoE (802.3af)
Power Consumption	Max 4W
Working Environment	-20°C~+60°C, Less than 95% RH
Ingress Protection	IP66
Vandal Resistance	IK10
Dimensions	Φ110mm×81mm
Weight	0.29kg

Dimensions (mm)



DH-IPC-HDBW4200E

Accessory (optional)

	
PFA131	PFB200W

Dahua Technology Co., Ltd. 1187BinAn Road, Binjiang District, Hangzhou, China
Tel: 66956096-09126017817-09107616575
email:imensazaa@gmail.com
www.irandahua.com