

## DH-IPC-HDW4100C

---

### 1.3Megapixel HD Network IR Mini Dome Camera



#### Features

- 1/3" 1.3Megapixel progressive scan Aptina CMOS
- H.264 & MJPEG dual-stream encoding
- Max 25/30fps@1.3M(1280×960)
- DWDR, Day/Night(ICR), 3DNR, AWB, AGC, BLC
- Multiple network monitoring: Web viewer, CMS(DSS/PSS) & DMSS
- 3.6mm fixed lens (2.8mm,6mm, 8mm optional)
- Max. IR LEDs Length 30m
- IP66, IK10, PoE

# DH-IPC-HDW4100C

## Technical Specifications

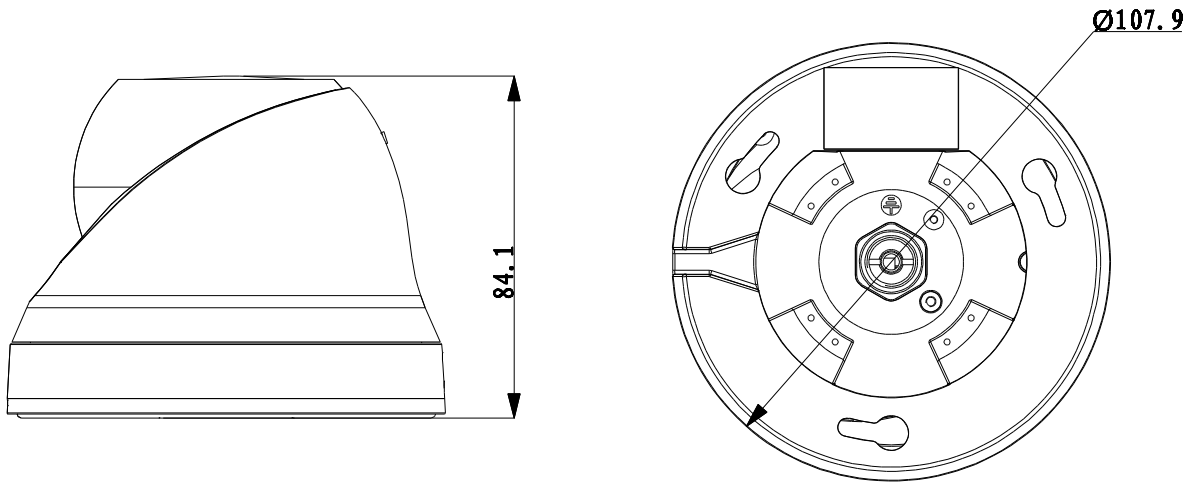
<b>Model</b>	<b>DH-IPC-HDW4100C</b>	
<b>Camera</b>		
Image Sensor	1/3" 1.3Megapixel progressive scan CMOS	
Effective Pixels	1280(H)x960(V)	
Scanning System	Progressive	
Electronic Shutter Speed	Auto/Manual, 1/3(4)~1/10000s	
Min. Illumination	0.05Lux/F1.2 (Color), 0.005Lux/F1.2(B/W);0Lux/F1.2(IR on)	
S/N Ratio	More than 50dB	
Video Output	N/A	
<b>Camera Features</b>		
Max. IR LEDs Length	30m	
Day/Night	Auto(ICR)/Color/B/W	
Backlight Compensation	BLC / HLC / DWDR	
White Balance	Auto	
Gain Control	Auto/Manual	
Noise Reduction	3D	
Privacy Masking	Up to 4 areas	
<b>Lens</b>		
Focal Length	3.6mm (2.8mm,6mm, 8mm optional)	
Max Aperture	F1.8(F2.0,F1.8,F1.8)	
Focus Control	Manual	
Angle of View	H:70°(89°/46.5°/35°)	
Lens Type	Fixed lens	
Mount Type	Board-in Type	
<b>Video</b>		
Compression	H.264 / MJPEG	
Resolution	1.3M(1280×960)/ 720P(1280×720)/ D1(704×576/704×480)/ CIF(352×288/352×240)	
Frame Rate	Main Stream	1.3M/720P(1 ~ 25/30fps)
	Sub Stream	D1/CIF(1 ~ 25/30fps)
Bit Rate	H.264: 56K ~ 8192Kbps	
<b>Audio</b>		
Compression	G.711a/G.711u/PCM	
Interface	Built-in Mic	
<b>Network</b>		
Ethernet	RJ-45 (10/100Base-T)	
Wi-Fi	N/A	
Protocol	IPv4/IPv6, HTTP, HTTPS, SSL, TCP/IP, UDP, UPnP, ICMP, IGMP, SNMP, RTSP, RTP, SMTP, NTP, DHCP, DNS, PPPOE, DDNS, FTP, IP Filter, QoS, Bonjour	
ONVIF	ONVIF Profile S	

## DH-IPC-HDW4100C

Max. User Access	20 users
Smart Phone	iPhone, iPad, Android, Windows Phone
<b>Auxiliary Interface</b>	
Memory Slot	N/A
RS485	N/A
Alarm	N/A
PIR Sensor Range	N/A
<b>General</b>	
Power Supply	DC12V, PoE (802.3af)
Power Consumption	Max 4W
Working Environment	-20°C~ +60°C, Less than 95%RH
Ingress Protection	IP66
Vandal Resistance	IK10
Dimensions	Φ107.9mm×84.1mm
Weight	0.29kg

# DH-IPC-HDW4100C

## Dimensions (mm)



## Accessory (optional)

