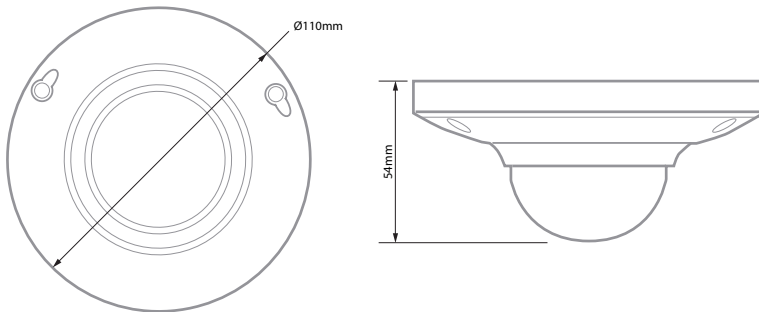


1.3 MEGAPIXEL NETWORK DOME IPC-HDB4100C-A-280

- 1.3 Megapixel
- 1/3" Progressive Scan CMOS
- Power Over Ethernet (PoE)
- Day / Night
- Digital WDR
- IP66 Weather proof
- Power Input: 12v DC, POE <3W
- Size: Ø110 x 54mm



Specification

Camera

Image Sensor	1/3" 1.3Megapixel progressive scan CMOS
Effective Pixels	1280(H)x960(V)
Scanning System	Progressive
Electronic Shutter Speed	Auto/Manual, 1/3(4)~1/10000s
Min. Illumination	0.1lux/F1.8(color)
S/N Ratio	More than 50dB

Camera Features

Max. IR LEDs Length	N/A
Day/Night	Auto(Electronic)/Color/B/W
Backlight Compensation	Off/BLC/HLC/DWDR
White Balance	Auto/Manual
Gain Control	Auto/Manual
Noise Reduction	3D
Privacy Masking	Up to 4 areas

Lens

Focal Length	2.8mm
Max Aperture	F2.0
Focus Control	Manual
Angle of View	H: 89°
Lens Type	Fixed lens
Mount Type	Board-in Type

Video

Compression	H.264/ MJPEG
Resolution	1.3M(1280× 960)/720P(1280× 720)/D1(704× 576/704× 480)/ CIF(352× 288/352× 240)

Frame Rate - Main Stream	1.3 MP/720P(1 ~ 25/30fps)
- Sub Stream	D1/CIF(1 ~ 25/30fps)
Bit Rate	H.264: 32K ~ 8192Kbps

Audio

Compression Interface	G.711a/G.711u/PCM Built-in MIC
-----------------------	-----------------------------------

Network

Ethernet Protocol	RJ-45 (10/100Base-T) IPv4/IPv6, HTTP, HTTPS, SSL, TCP/IP, UDP, UPnP, ICMP, IGMP, SNMP, RTSP, RTP, SMTP, NTP, DHCP, DNS, PPPOE, DDNS, FTP, IP Filter, QoS, Bonjour,
ONVIF	ONVIF Profile S
Max. User Access	20 users

General

Power Supply	DC12V, PoE (802.3af)
Power Consumption	Max 2.5W
Working Environment	-20°C~+60°C, Less than 95% RH
Ingress Protection	IP66
Vandal Resistance	IK10
Dimensions	Ø110mm× 54mm
Weight	0.25kg