

DH-PTZ1182A-N

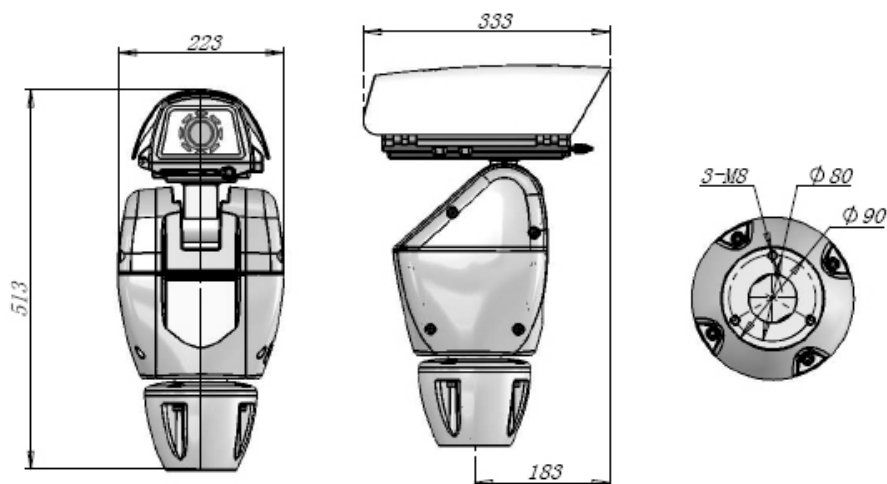
2MP Full HD IP High-Speed Positioning System



Features

- > 1080p Full-HD and 720p HD excellent image quality
- > Powerful 20x optical zoom
- > Pan range: 360° endless, speed up to 100°/s
- > Up to 255 Presets, 8 Tour, 5 Pattern, 5 Auto scan
- > Support intelligent 3D positioning
- > IR LEDs up to 100m (PTZ1182A-IRA-N), IP66
- > IR LEDs up to 200m (PTZ1182A-IRB-N), IP66
- > Multiple network monitoring: Web viewer, CMS(DSS/PSS) & DMSS

Dimensions (mm)



DH-PTZ1182A-N

Technical Specifications

Model	DH-PTZ1182A-N	DH-PTZ1182A-IRA-N	DH-PTZ1182A-IRB-N
Camera			
Camera Model	DH-SDZ2020B-N		
Image Sensor	1/3" Exmor CMOS		
Effective Pixels	1920(H) x 1080(V), 2 Megapixels		
Scanning System	Progressive		
Electronic Shutter Speed	1/1 ~ 1/10,000s		
Min. Illumination	Color: 0.05Lux@F1.6, B/W: 0.005Lux@F1.6		
S/N Ratio	More than 50dB		
Day/Night	Auto(ICR) / Color / B/W		
Backlight Compensation	BLC / HLC / DWDR(Digital WDR)		
White Balance	Auto, ATW, Indoor, Outdoor, Manual		
Gain Control	Auto / Manual		
Noise Reduction	2D / 3D		
Privacy Masking	Up to 24 areas		
Digital Zoom	16x		
Video Output	BNC(1.0Vp-p/75Ω), PAL / NTSC		
Lens			
Focal Length	4.7mm ~ 94mm(20x Optical zoom)		
Max Aperture	F1.6 ~ F3.5		
Focus Control	Auto / Manual		
Angle of View	H: 58.2° ~ 2.9°		
Close Focus Distance	10mm ~ 1000mm		
Video			
Compression	H.264 / MJPEG		
Resolution	1080P(1920×1080) / 1.3M(1280×960) / 720P(1280×720) / D1(704×576/704×480) / CIF(352×288/352×240)		
Frame Rate	Main Stream: 25/30fps@1080P/720P		
	Sub Stream: 25/30fps@D1/CIF		
Bit Rate	H.264: 56K ~ 8192Kbps, MJPEG: 56K ~ 20480Kbps		
Network			
Ethernet	RJ-45 (10/100Base-T)		
Protocol	IPv4/IPv6, HTTP, HTTPS, SSL, TCP/IP, UDP, UPnP, ICMP, IGMP, SNMP, RTSP, RTP, SMTP, NTP, DHCP, DNS, PPPOE, DDNS, FTP, IP Filter, QoS, Bonjour		
ONVIF	ONVIF Ver. 2.0 conformance		
Max. User Access	20 users		
Smart Phone	iPhone, iPad, Android, Windows Phone		
Pan/Tilt System			
Pan Range	360° endless		
Pan Speed	0.1° ~ 100°/sec	0.1° ~ 75°/sec	
Tilt Range	-90° ~ 40°		

DH-PTZ1182A-N

Tilt Speed	0.1° ~40°/sec		
Positioning Accuracy	±0.02°		
Preset	255		
Tour	8		
Pattern	5		
Auto Scan	5		
Idle Motion	Support		
3D Positioning	Support		
Preset Auto-Calibration	Support		
Remote P/T/Z Reset	Support		
Wiper	Built-in		
LED Infrared Light			
Max. IR LEDs Length	N.A.	100m	200m
IR Wave Length	N.A.	800~900nm	
IR Emission Angle	N.A.	≤30°	
Auxiliary Interface			
Memory Slot	Micro SD, Max 32GB		
RS485	Duplex		
Alarm	2/1 channel In/Out		
General			
Power Supply	AC 24V/5A		
Power Consumption	≤100W		
Working Environment	-40°C ~ 60°C / Less than 90% RH		
Protection	IP66, All-metal aluminum alloy, 6000V anti-lightning surge		
Weight	18.3Kg	21Kg	

Dahua Technology Co., Ltd. 1187BinAn Road, Binjiang District, Hangzhou, China
 Tel: 66956096-09126017817-09107616575
 email:imensazaa@gmail.com
 www.irandahua.com