

DH-HAC-HFW2200E

2Megapixel 1080P Water-proof HDCVI IR-Bullet Camera



Features

- 1/3" 2Megapixel CMOS
- 25/30fps@1080P, 25/30/50/60fps@720P
- High speed, long distance real-time transmission
- Full HD and standard definition switch
- OSD Menu, control over coaxial cable
- Day/Night(ICR), AWB, AGC, BLC, 3D-DNR
- 6mm fixed lens (2.8 mm, 3.6mm, 8mm optional)
- Max. IR LEDs length 20m, Smart IR
- IP66, DC12V

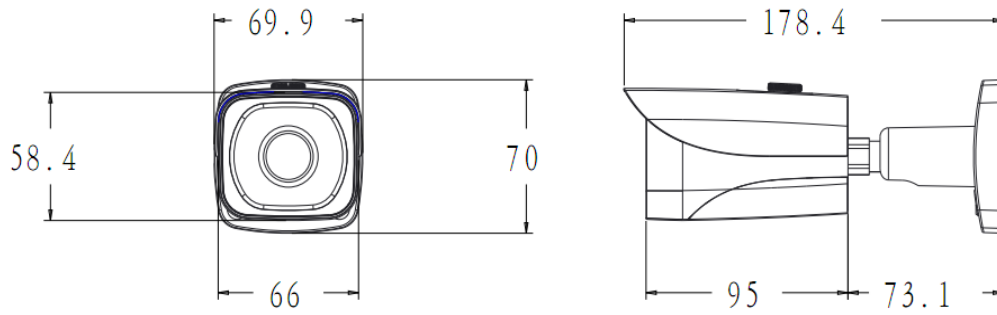
DH-HAC-HFW2200E

Technical Specifications

Model	DH-HAC-HFW2200EP	DH-HAC-HFW2200EN
Camera		
Image Sensor	1/3" 2Megapixel CMOS	
Effective Pixels	1920(H)×1080(V)	
Electronic Shutter	1/3s~1/100,000s	
Video Frame Rate	1920×1080@25fps; 1920×1080@30fps; 1280×720@25 fps; 1280×720@30 fps; 1280×720@50 fps; 1280×720@60 fps	
Synchronization	Internal	
Mini. Illumination	0.05Lux@F1.2(AGC ON), 0Lux IR on	
Video Output	1-channel BNC HDCVI high definition video output/ CVBS standard definition video output (Can switch)	
Camera Features		
Max. IR LEDs Length	20m, Smart IR	
Day/Night	Auto(ICR) / Color / B/W	
Noise Reduction	2D/3D	
OSD Menu	Support	
Lens		
Focal Length	6mm fixed lens (2.8mm, 3.6mm, 8mm optional)	
Mount Type	M12	
General		
Power Supply	DC12V±10%	
Power Consumption	Max 4.5W	
Working Environment	-30°C~+60°C / Less than 95%RH (no condensation)	
Transmission Distance	Over 300m via 75-3 coaxial cable	
Ingress Protection	IP66	
Dimensions(W×D×H)	178.4mm × 69.9mm× 70.0mm	
Weight	0.5Kg	

DH-HAC-HFW2200E

Dimensions (mm)



Dahua Technology Co., Ltd. 1187BinAn Road, Binjiang District, Hangzhou, China
Tel: 66956096-09126017817-09107616575
email: imensazaa@gmail.com
www.irandahua.com