

## DH-IPC-HF81200E

### 12 Megapixel Ultra HD Network Camera



### Features

- 1/1.7" 12 Megapixel progressive scan CMOS
- Support H.264/MJPEG dual codec
- Smart triple streams supported
- Max 15fps@12MP(4000x3000)
- Defog, ROI, EIS
- Auto back focus
- Bulit-in Mic
- 100/1000M Base-T Ethernet

# DH-IPC-HF81200E

## Technical Specifications

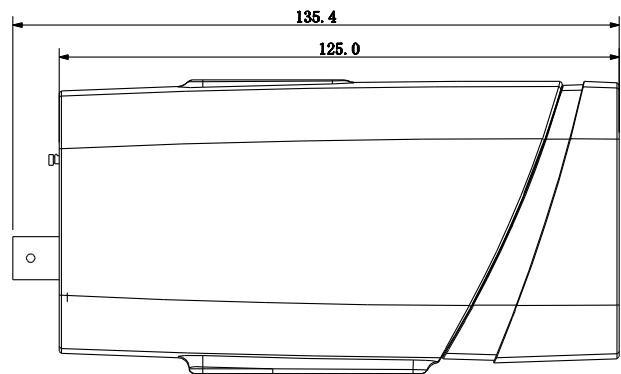
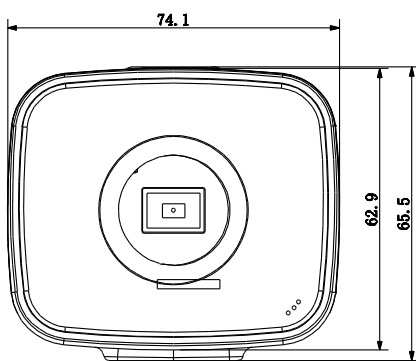
<b>Model</b>	<b>DH-IPC-HF81200E</b>	
<b>Camera</b>		
Image Sensor	1/1.7" 12Megapixel CMOS	
Effective Pixels	4000(H)x3000(V)	
Scanning System	Progressive	
Electronic Shutter Speed	Auto/Manual, 1/3~1/10000s	
Min. Illumination	Color: 0.01Lux/F1.2, B/W: 0.001Lux/F1.2	
S/N Ratio	More than 50dB	
Video Output	1 channel BNC (1.0Vp-p,75Ω)	
<b>Camera Features</b>		
Max. IR LEDs Length	N/A	
Day/Night	Auto(ICR)/Color/B/W	
Backlight Compensation	BLC / HLC / DWDR	
White Balance	Auto/Manual	
Gain Control	Auto/Manual	
Noise Reduction	3D	
Privacy Masking	Up to 4 areas	
EIS	Support	
Ultra Defog	Support	
Smart focus	ABF	
<b>Lens</b>		
Mount Type	C/CS	
<b>Video</b>		
Compression	H.264/MJPEG	
Resolution	12M(4000×3000)/8M(3840×2160)/1080P(1920×1080)/720P(1280×720) /D1(704×576) /CIF(352×288)	
Frame Rate	Main Stream	12M(1~15fps)/8M/1080P (1~25/30fps)
	Sub Stream	D1/CIF(1 ~ 25/30fps)
	Third Stream	1080P/720P/D1(1 ~ 25/30fps)
Bit Rate	H.264: 32Kbps~ 16Mbps	
ROI	Up to 4 areas	
<b>Audio</b>		
Compression	G.711a / G.711u/AAC	
Interface	1/1 channel In/Out(Built in Mic)	
<b>Smart Function(Optional)</b>		
Smart detection	Tripwire	
	Intrusion	
	Scene change	
	Missing/Abandoned	
	Audio detect	
	Defocus detect	

## DH-IPC-HF81200E

	Face detect
<b>Network</b>	
Ethernet	RJ-45 (10/100/1000Base-T)
Wi-Fi	N/A
Protocol	IPv4/IPv6, HTTP, HTTPS, SSL, TCP/IP, UDP, UPnP, ICMP, IGMP, SNMP, RTSP, RTP, SMTP, NTP, DHCP, DNS, PPPOE, DDNS, FTP, IP Filter, QoS, Bonjour
Compatibility	ONVIF, PSIA, CGI
Max. User Access	20 users
Smart Phone	iPhone, iPad, Android, Windows Phone
<b>Auxiliary Interface</b>	
Memory Slot	Micro SD, Max 128GB
RS485	1 port
Alarm	2/1 channel In/Out
<b>General</b>	
Power Supply	DC12V/AC24V, PoE (802.3af)
Power Consumption	Max12W (ABF&ICR on)
Working Environment	-30°C~+60°C, Less than 95% RH
Ingress Protection	N/A
Dimensions	74.1mm×65.5mm×135.4mm
Weight	0.3Kg

# DH-IPC-HF81200E

## Dimensions (mm)



## Accessory (optional)

				
PFB120W	PFB121W	PFA121	PFA152	PFA151

## **DH-IPC-HF81200E**

---

Dahua Technology Co., Ltd. 1187BinAn Road, Binjiang District, Hangzhou, China  
Tel: 66956096-66956096-66956102  
email:imensazaa@gmail.com  
www.irandahua.com